

Service
Service
Service



Service Manual



CONTENTS

Set wiring digram.....3-1

Circuit diagram

- CD power board4-1..4-2
- Tuenr board5-1
- Tape board.....6-1

Layout diagram

- CD power board7-1..7-2
- LCD key board.....8-1
- Tuenr board9-1
- Tape board.....10-1

Service parts list 11-1



© Copyright 2008 Philips Consumer Electronics B.V. Eindhoven, The Netherlands
All rights reserved. No part of this publication may be reproduced, stored in a retrieval system or transmitted, in any form or by any means, electronic, mechanical, photocopying, or otherwise without the prior permission of Philips.

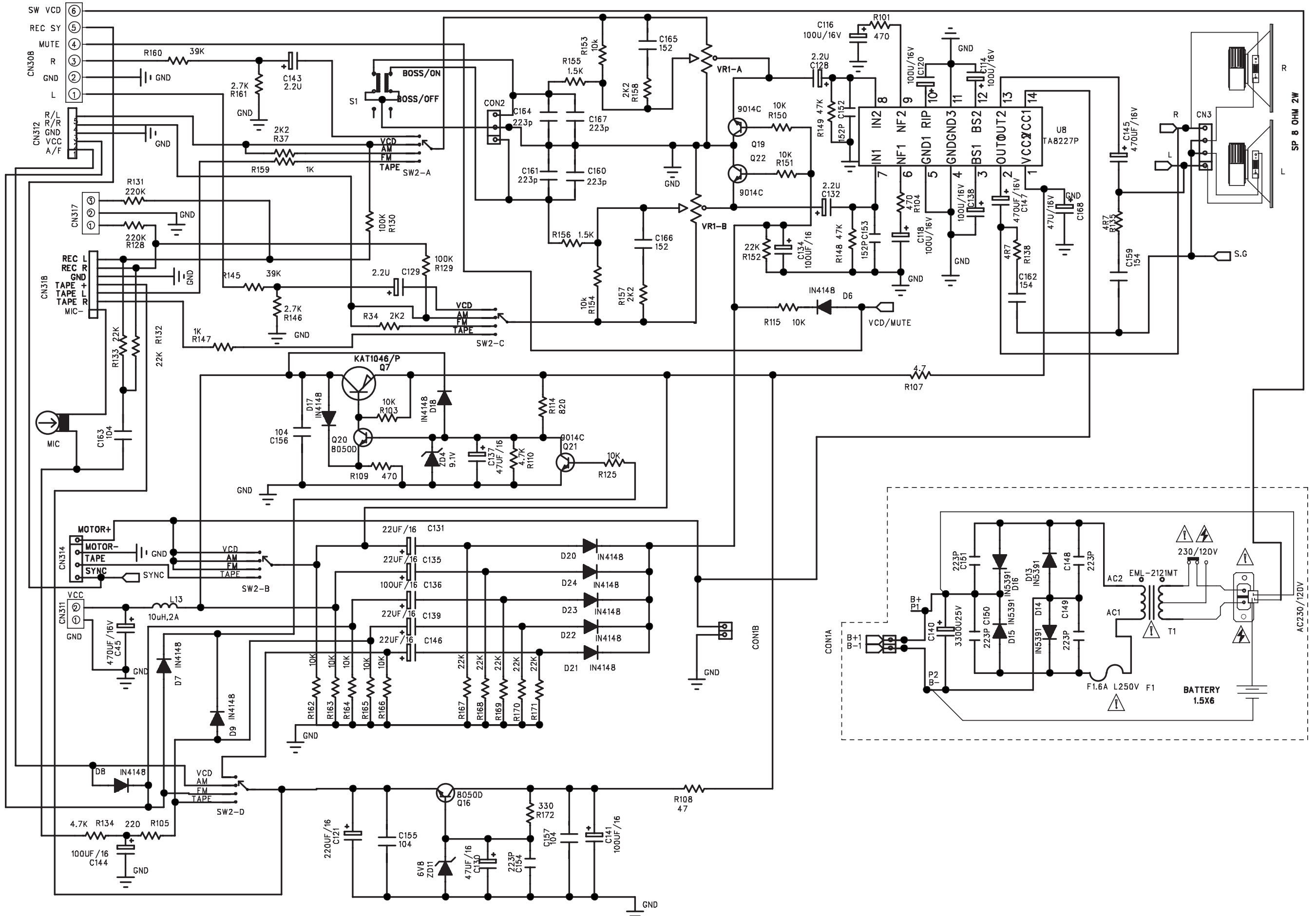
Published by LX 0822 Service Audio Subject to modification

3141 785 32920

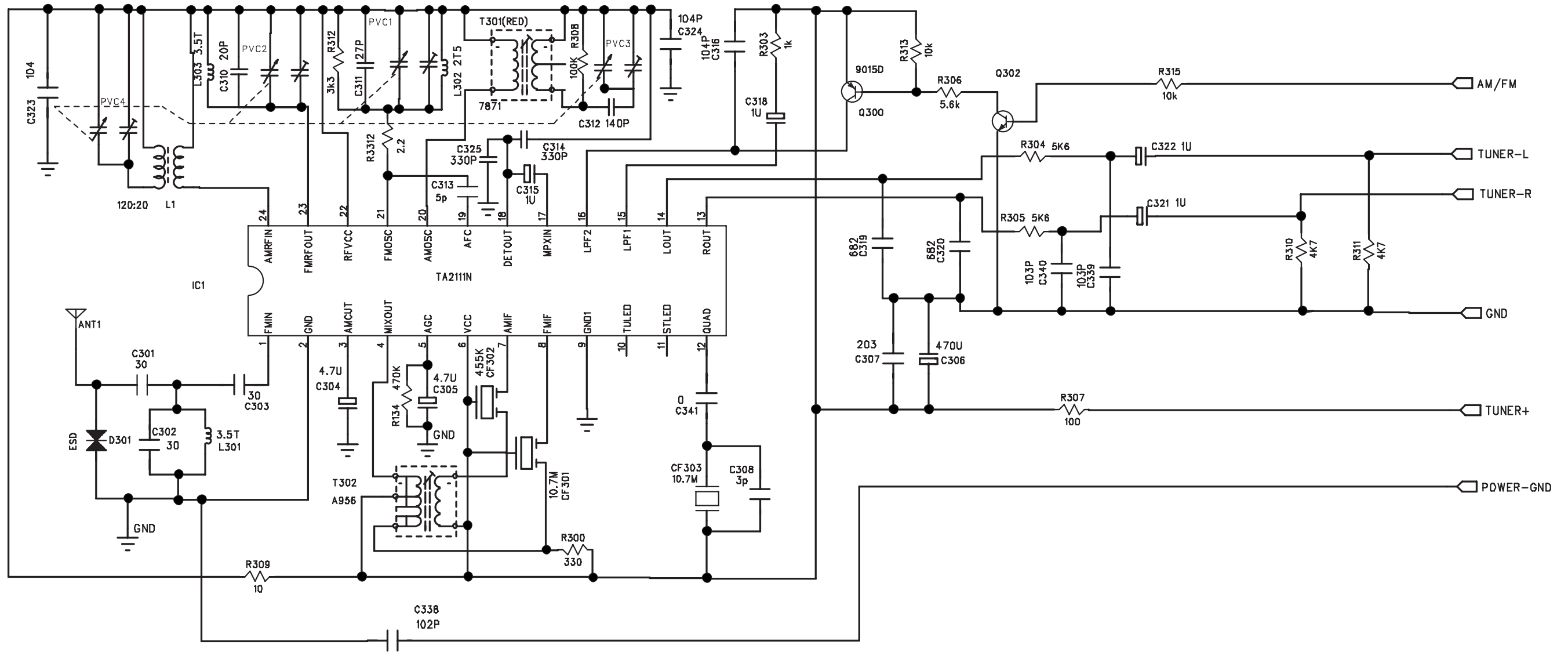
Version 1.0



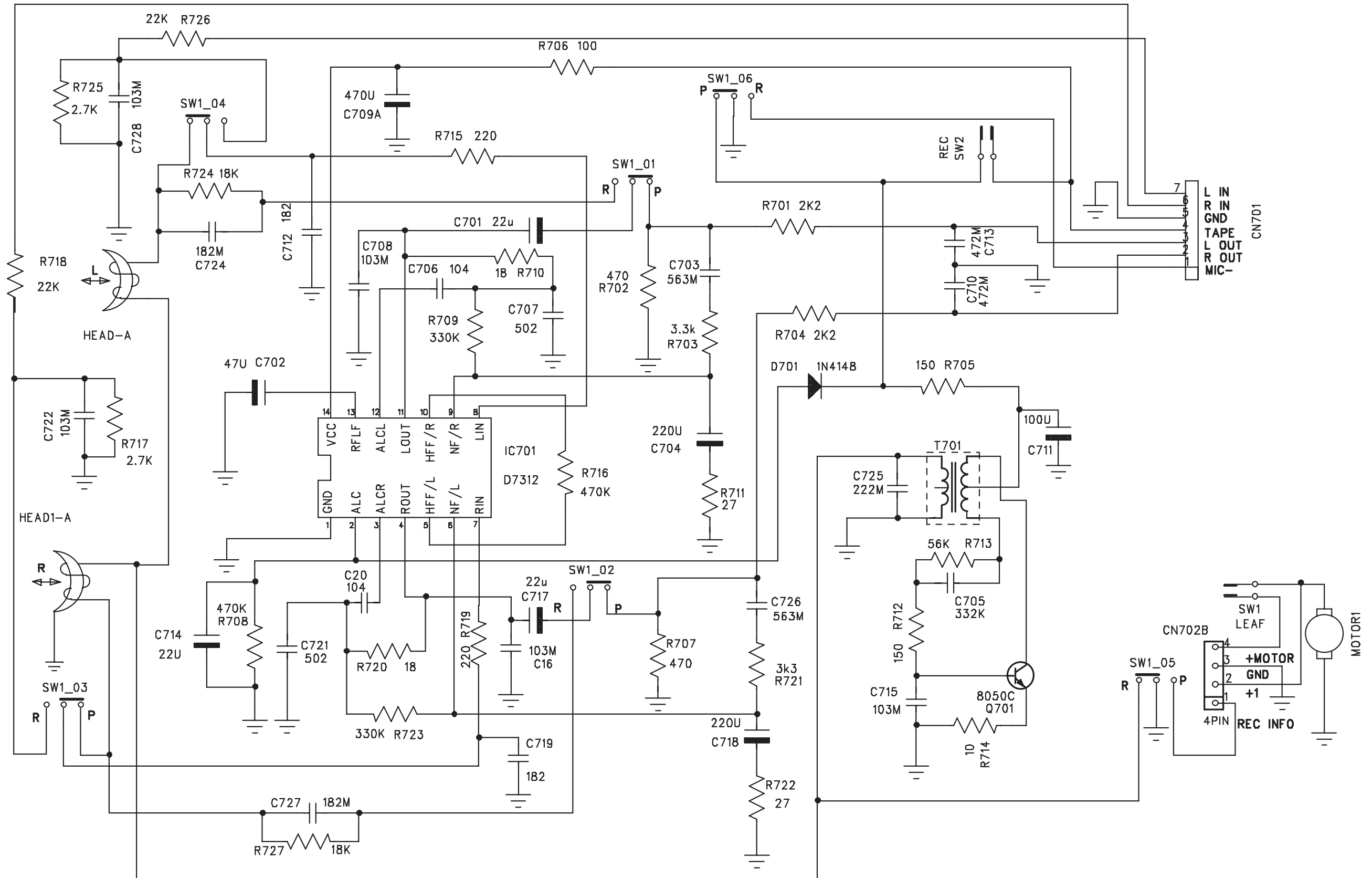
CIRCUIT DIAGRAM - CD POWER BOARD POWER PART



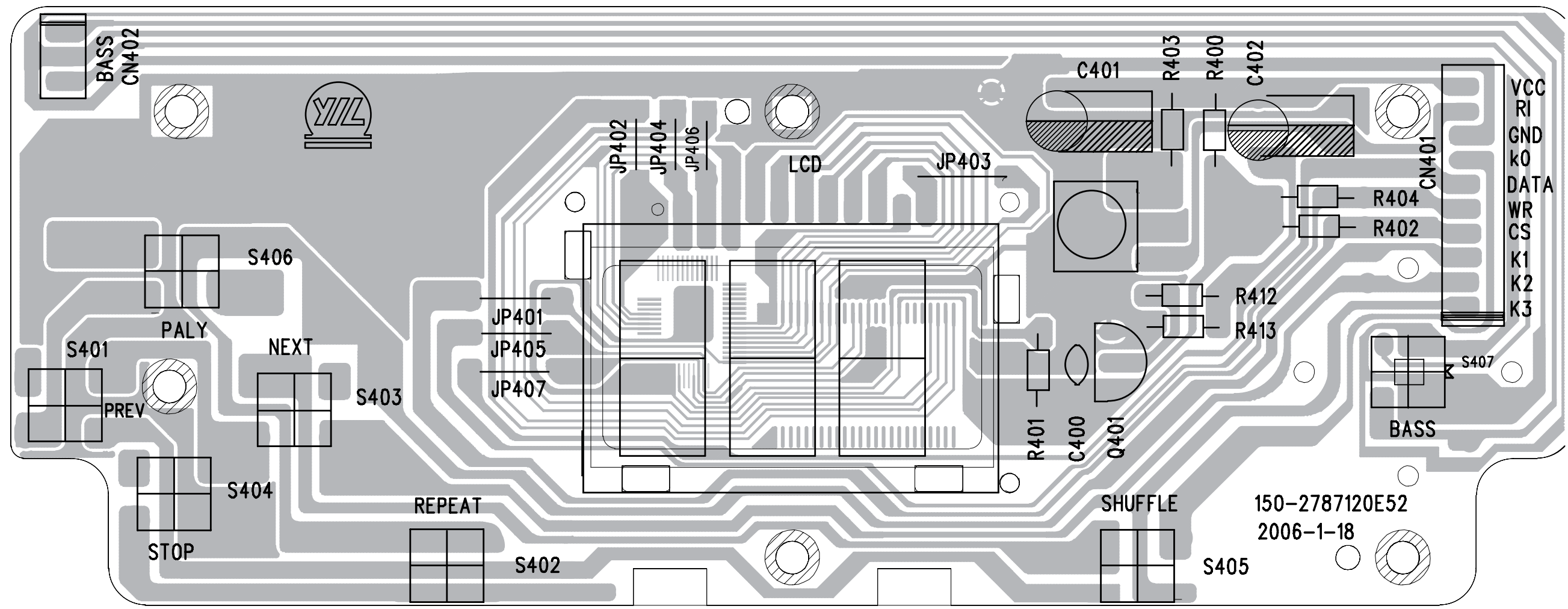
CIRCUIT DIAGRAM - TUNER BOARD



CIRCUIT DIAGRAM - TAPE BOARD



LAYOUT DIAGRAM - LCD KEY BOARD



LAYOUT DIAGRAM - TUNER BOARD

